

Model No	Specifications
----------	----------------

SD-PLB2B

Shower Door Pull
Back To Back Mounting



- Material: Solid Brass or Stainless Steel
- Center to Center: 6" and 8" (other sizes upon request)
- Diameter: 3/4" (19mm)
- Glass Thickness Range: 1/4" (6mm) to 1/2" (12mm)
- Finishes: US3, US4, US15, US26, US32, US32D

SD-TBPL

Towel Bar with Pull



- Material: Solid Brass or Stainless Steel Tube
- Center to Center: 6" pull with 18" or 24" 30" Towel Bar (Custom Sizes Available)
- Bar Diameter: 3/4" (19mm)
- Glass Thickness Range: 1/4" (6mm to) 1/2" (12mm)
- Finishes: US3, US4, US15, US26, US32, US32D

SD-TBFP

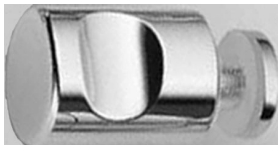
Towel Bar
Finger Pull



- Material: Solid Brass or Stainless Steel Tube
- Finger Pull or Finger Grip" with 18" or 24" Towel Bar (Custom Sizes Available)
- Bar Diameter: 3/4" (19mm) or 1" (25.4mm)
- Glass Thickness Range: 1/4" (6mm to) 1/2" (12mm)
- Finishes: US3, US4, US15, US26, US32, US32D

SD-TBFG

Towel Bar
Finger Grip



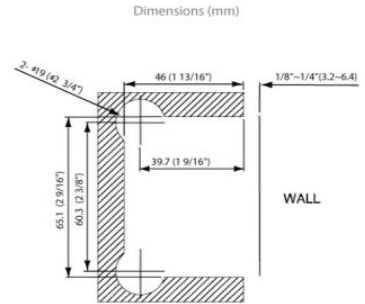
Model No	Specifications	Dimensions
----------	----------------	------------

SH-90F

Wall Mounted
Full Back Plate



- Solid Brass Drop Forged Construction
- Stainless Steel Reversible Pin with 0 and 5 degree positive stop
- Glass sizes: 3/8" (10 mm) to 1/2" (12 mm) tempered glass
- Stainless Steel internal springs
- Finishes: US3, US4, US15, US26,US26D
- 90 degree opening angles
- Reversing Pin Changes Angle tp 85 degrees

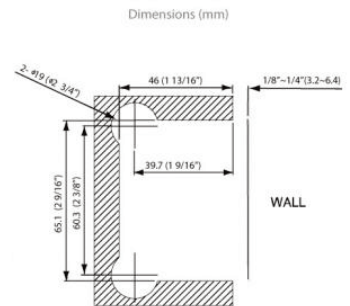


SH-90FR

Wall Mounted
Full Back Plate
Radius Corners



- Solid Brass Drop Forged Construction
- Stainless Steel Reversible Pin with 0 and 5 degree positive stop
- Glass sizes: 3/8" (10 mm) to 1/2" (12 mm) tempered glass
- Stainless Steel internal springs
- Finishes: US3, US4, US15, US26,US26D
- 90 degree opening angles
- Reversing Pin Changes Angle tp 85 degrees

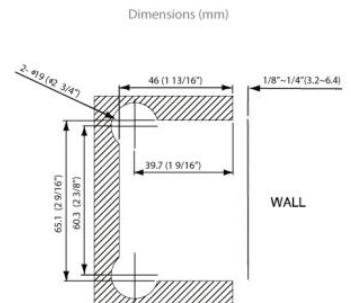


SH-90FT

Wall Mounted
Full Back Plate
Tapered Edges



- Solid Brass Drop Forged Construction
- Stainless Steel Reversible Pin with 0 and 5 degree positive stop
- Glass sizes: 3/8" (10 mm) to 1/2" (12 mm) tempered glass
- Stainless Steel internal springs
- Finishes: US3, US4, US15, US26,US26D
- 90 degree opening angles
- Reversing Pin Changes Angle tp 85 degrees



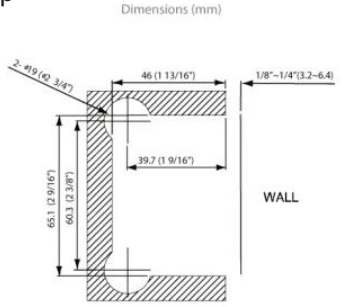
Model No	Specifications	Dimensions
----------	----------------	------------

SH-90S

Wall Mounted
Short Back Plate



- Solid Brass Drop Forged Construction
- Stainless Steel Reversible Pin with 0 and 5 degree positive stop
- Glass sizes: 3/8" (10 mm) to 1/2" (12 mm) tempered glass
- Stainless Steel internal springs
- Finishes: US3, US4, US15, US26,US26D
- 90 degree opening angles
- Reversing Pin Changes Angle tp 85 degrees

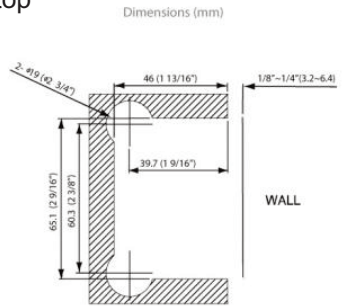


SH-90SR

Wall Mounted
Short Back Plate
Radius Corners



- Solid Brass Drop Forged Construction
- Stainless Steel Reversible Pin with 0 and 5 degree positive stop
- Glass sizes: 3/8" (10 mm) to 1/2" (12 mm) tempered glass
- Stainless Steel internal springs
- Finishes: US3, US4, US15, US26,US26D
- 90 degree opening angles
- Reversing Pin Changes Angle tp 85 degrees

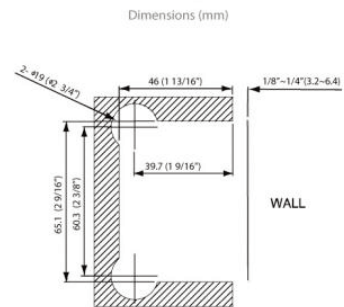


SH-90ST

Wall Mounted
Short Back Plate
Tapered Edges



- Solid Brass Drop Forged Construction
- Stainless Steel Reversible Pin with 0 and 5 degree positive stop
- Glass sizes: 3/8" (10 mm) to 1/2" (12 mm) tempered glass
- Stainless Steel internal springs
- Finishes: US3, US4, US15, US26,US26D
- 90 degree opening angles
- Reversing Pin Changes Angle tp 85 degrees



Model No	Specifications	Dimensions
----------	----------------	------------

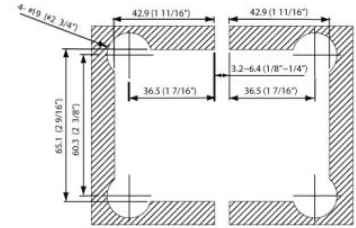
SHGD-90

Glass To Glass Door
Square Corners

- Solid Brass Drop Forged Construction
- Stainless Steel Reversible Pin with 0 and 5 degree positive stop
- Glass sizes: 3/8" (10 mm) to 1/2" (12 mm) tempered glass
- Stainless Steel internal springs
- Finishes: US3, US4, US15, US26,US26D
- 90 degree opening angles
- Reversing Pin Changes Angle tp 85 degrees



Dimensions (mm)



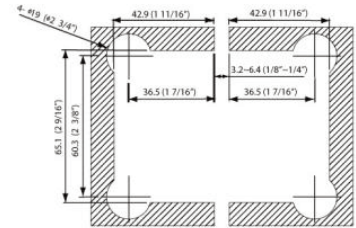
SHGD-90R

Glass to Glass Door
Radius Corners

- Solid Brass Drop Forged Construction
- Stainless Steel Reversible Pin with 0 and 5 degree positive stop
- Glass sizes: 3/8" (10 mm) to 1/2" (12 mm) tempered glass
- Stainless Steel internal springs
- Finishes: US3, US4, US15, US26,US26D
- 90 degree opening angles
- Reversing Pin Changes Angle tp 85 degrees



Dimensions (mm)



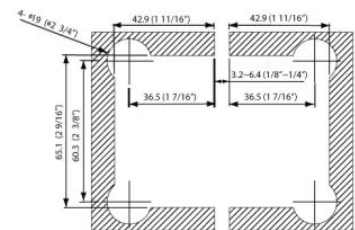
SHGD-90T

Glass To Glass Door
Tapered Edges

- Solid Brass Drop Forged Construction
- Stainless Steel Reversible Pin with 0 and 5 degree positive stop
- Glass sizes: 3/8" (10 mm) to 1/2" (12 mm) tempered glass
- Stainless Steel internal springs
- Finishes: US3, US4, US15, US26,US26D
- 90 degree opening angles
- Reversing Pin Changes Angle tp 85 degrees



Dimensions (mm)



Model No	Specifications	Dimensions
----------	----------------	------------

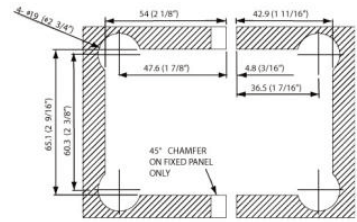
SHGD-135

Glass To Glass Door
Square Corners

- Solid Brass Drop Forged Construction
- Stainless Steel Reversible Pin with 0 and 5 degree positive stop
- Glass sizes: 3/8" (10 mm) to 1/2" (12 mm) tempered glass
- Stainless Steel internal springs
- Finishes: US3, US4, US15, US26,US26D
- 90 degree opening angles
- Reversing Pin Changes Angle tp 85 degrees



Dimensions (mm)



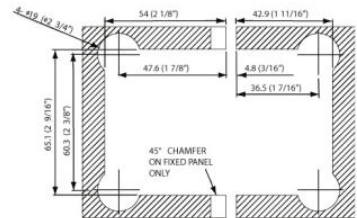
SHGD-135R

Glass To Glass Door
Radius Corners

- Solid Brass Drop Forged Construction
- Stainless Steel Reversible Pin with 0 and 5 degree positive stop
- Glass sizes: 3/8" (10 mm) to 1/2" (12 mm) tempered glass
- Stainless Steel internal springs
- Finishes: US3, US4, US15, US26,US26D
- 90 degree opening angles
- Reversing Pin Changes Angle tp 85 degrees



Dimensions (mm)



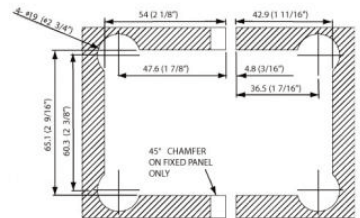
SHGD-135T

Glass To Glass Door
Tapered Edges

- Solid Brass Drop Forged Construction
- Stainless Steel Reversible Pin with 0 and 5 degree positive stop
- Glass sizes: 3/8" (10 mm) to 1/2" (12 mm) tempered glass
- Stainless Steel internal springs
- Finishes: US3, US4, US15, US26,US26D
- 90 degree opening angles
- Reversing Pin Changes Angle tp 85 degrees



Dimensions (mm)



Model No	Specifications	Dimensions
----------	----------------	------------

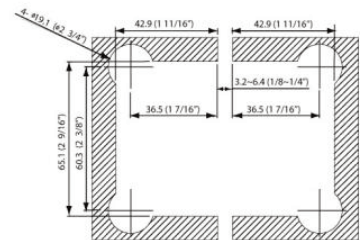
SHGD-180

Glass To Glass Door
Square Corners

- Solid Brass Drop Forged Construction
- Stainless Steel Reversible Pin with 0 and 5 degree positive stop
- Glass sizes: 3/8" (10 mm) to 1/2" (12 mm) tempered glass
- Stainless Steel internal springs
- Finishes: US3, US4, US15, US26,US26D
- 90 degree opening angles
- Reversing Pin Changes Angle tp 85 degrees



Dimensions (mm)



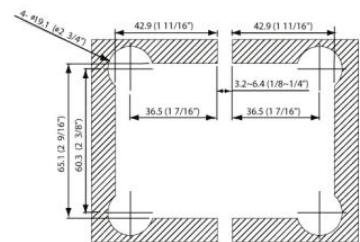
SHGD-180R

Glass to Glass Door
Radius Corners

- Solid Brass Drop Forged Construction
- Stainless Steel Reversible Pin with 0 and 5 degree positive stop
- Glass sizes: 3/8" (10 mm) to 1/2" (12 mm) tempered glass
- Stainless Steel internal springs
- Finishes: US3, US4, US15, US26,US26D
- 90 degree opening angles
- Reversing Pin Changes Angle tp 85 degrees



Dimensions (mm)



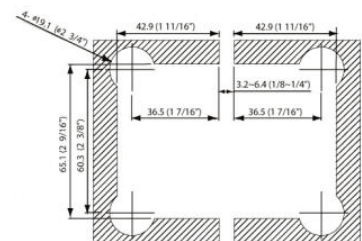
SHGD-180T

Glass To Glass Door
Tapered Edges

- Solid Brass Drop Forged Construction
- Stainless Steel Reversible Pin with 0 and 5 degree positive stop
- Glass sizes: 3/8" (10 mm) to 1/2" (12 mm) tempered glass
- Stainless Steel internal springs
- Finishes: US3, US4, US15, US26,US26D
- 90 degree opening angles
- Reversing Pin Changes Angle tp 85 degrees



Dimensions (mm)

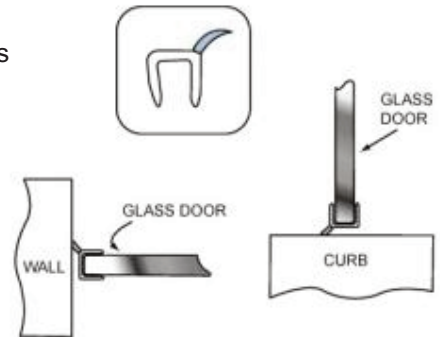


Model No	Specifications	Dimensions
----------	----------------	------------

SS-BSWS

Seal And Wipe

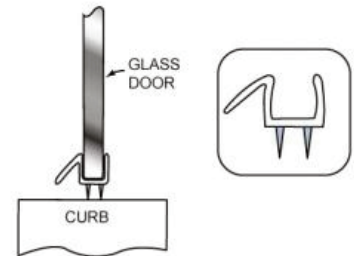
- Dual Sean And Wipe
- Available for 1/4" (6mm) or 3/8" (10mm) Glass Thickness
- Available in 78" (1891mm) or 98" (2489mm) Length
- Can be used as a wipe or a seal



SS-BWDT

Bottom Seal
Drip Rail

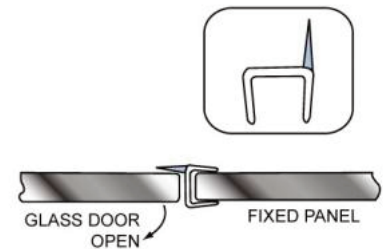
- Clear Bottom Wipe and Drip Rail
- Available for 1/4" (6mm) or 3/8" (10mm) Glass Thickness
- Available in 84" (2134mm) or 98" (2489mm) Length
- Soft Wipes And Provides A Tight Seal 45 degrees



SS-IGS

Inline Panel Seal

- Seal For Inline Glass Panes
- Available for 1/4" (6mm) or 3/8" (10mm) Glass Thickness
- Available in 84" (2134mm) Length
- Soft Wipes And Provides A Tight Seal 45 degrees



SH-FGDJ

Inline Seal
Door Jamb

- Seal For Inline Glass Pane and Glass Door
- Available for 3/8" (10mm) Glass Thickness
- Available in 78" (1891mm) 84" (2134mm) 98" (2489mm)
- Can Be Reversed for Inswing or Outswing Doors

